

CT-VLC PICO

Dry Bed Absorber Ventline Cartridge

Introduction

The CT-VLC PICO is used as a "point of vent" system for gas supply facilities, especially designed for the semiconductor, photovoltaic, and related industries.

The CT-VLC PICO can be used generally everywhere where gas cabinets are operating with toxic, corrosive or environmentally critical gases. The system is used to detoxify the purge gases in case of a bottle changeover.

The CT-VLC PICO is made of high quality stainless steel 1.4571 in accordance with AD 2000, the admitted regulation for pressure vessels, and is ready for use within the gas cabinet.

Each CT-VLC PICO is tested with a pressure of 286 bar by TÜV and is CE certified (CE0045). This in turn means that even if the cartridge is exposed to the complete cylinder pressure, it is still in the approved pressure range and does not bear any safety risk.



Mode of Operation

The CT-VLC PICO is equipped with granulate especially aligned for the customer's applications. The layout of the cartridge is designed to get a constant and effective flow through the granulate for the highest absorption capacities possible.

The granulates convert the gases into non-volatile, stable inorganic solids by irreversible chemical reaction at ambient temperatures.

The functionality of the CT-D VLC PICO is given whether the gas is pushed through the cartridge via overpressure or being sucked in by vacuum downstream the cartridge or both methods alternating.



Installation Requirements

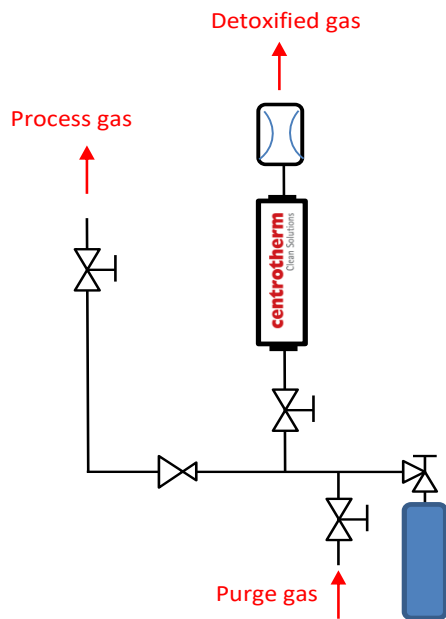
By default the cartridge is equipped with ¼" VCR® fittings. Typically the CT-VLC PICO is mounted vertically, but it can be installed horizontally as well, via the provided stainless steel wall holder.

Capacities of Common Gases

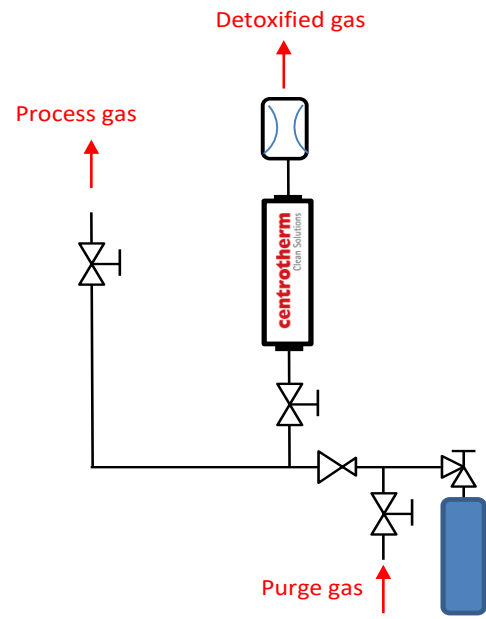
The CT-VLC PICO can be adapted to almost every industrially used gas. Please ask for more information to select the optimal granulate. Typical gases and absorbing capacities of the CT-VLC PICO are listed below. The given values are applicable for a total gas flow of max. 10 slm. Further gases on request.

Gas	Capacities [Standard liters]	Lifetime [months]
AsH ₃	180	24
B ₂ H ₆	80	24
BCl ₃	40	18
BF ₃	100	18
Cl ₂	80	18
F ₂	100	18
GeH ₄	20	18
H ₂ S	280	24
H ₂ Se	200	24
HBr	140	18
HCl	240	18
HF	240	18
NH ₃	60	18
PH ₃	140	24
SiH ₄	60	24
SiH ₂ Cl ₂	80	18
WF ₆	30	18

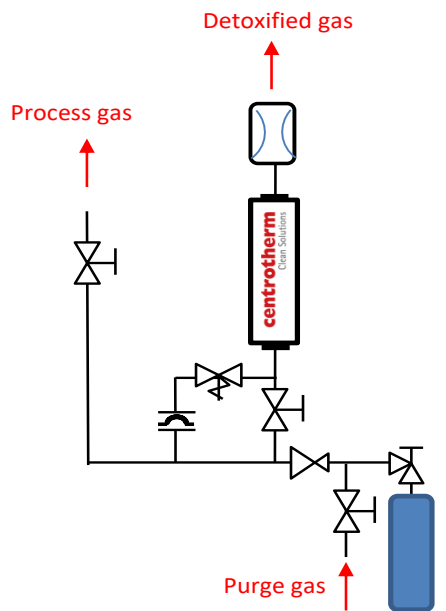
Application Examples



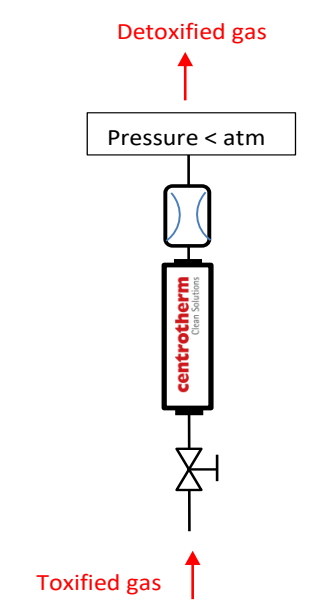
High pressure installation



Low pressure installation

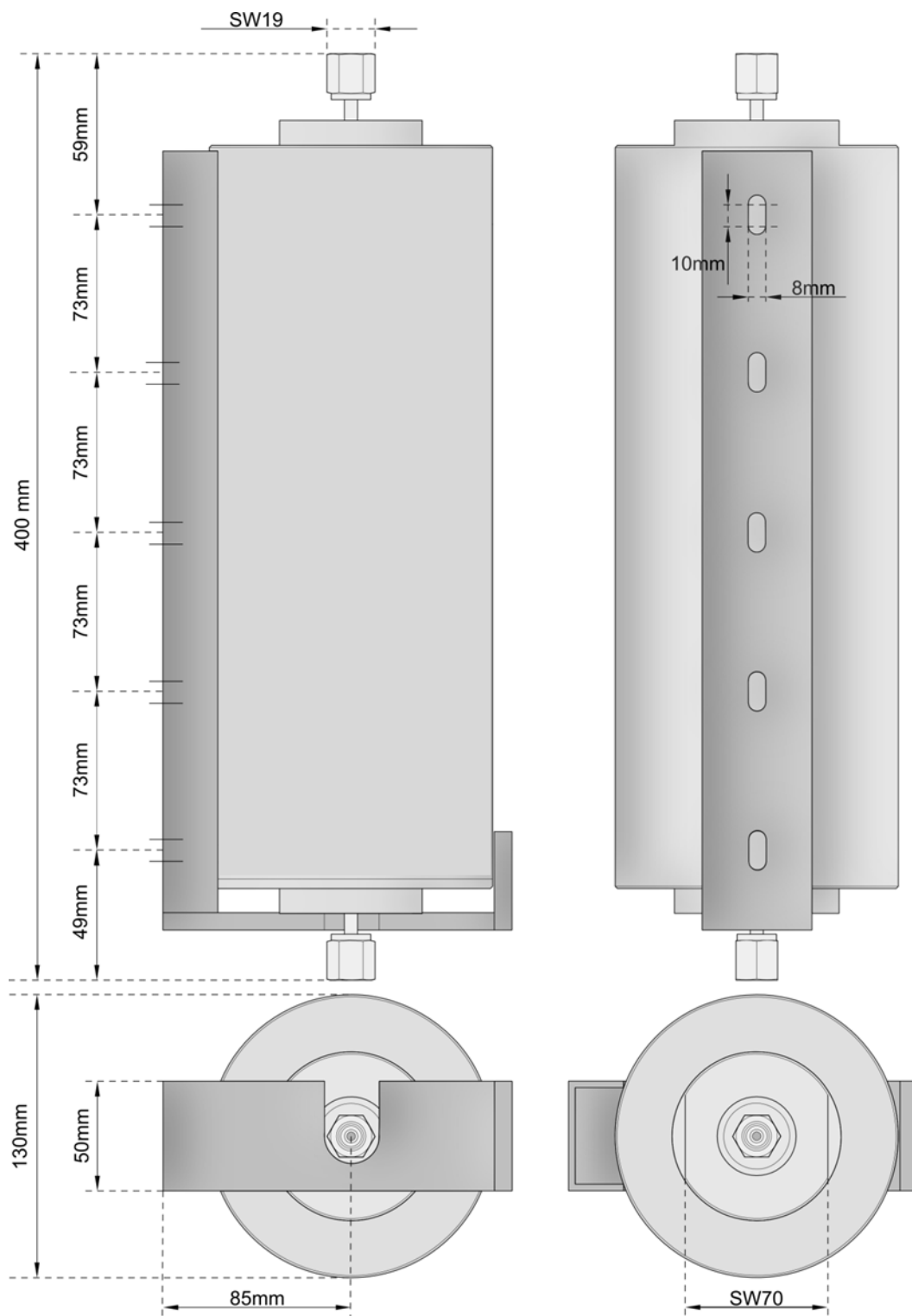


Safety release with burst disk



Cleaning applications

Dimensions



centrotherm
clean solutions GmbH
Johannes-Schmid-Str. 3-5
D-89143 Blaubeuren
Germany

Phone: +49 7344/ 92494-0
Fax : +49 7344/ 92494-199
E-Mail: info@centrotherm-cs.de
Internet: www.centrotherm-cs.de